

HPA Series

Mini Pressure Filters

Max 33 l/min - 280 bar



Global Filtration Technology

Mini Pressure Filters

HPA Series

TYPICAL APPLICATIONS

- Low Flow Servo Systems
- Pilot Lines
- Small Mobile Equipment
- Lubrication Systems
- High Pressure Water Systems

The Parker Filtration HPA Series Mini Pressure Filters.

Small and easy to install, the Mini Pressure Filter is a robust solution to the low flow applications that larger filters are unable to effectively handle.

Made from high strength brass stampings and supplied with a wide range of media options, reliable, high efficiency protection is the result of using the Mini Pressure Filter.



Alternative head mounting. For details please contact Parker Filtration.

TYPICAL APPLICATIONS



Photographs courtesy of Nifty Lift Ltd.



The machine pictured is the "Compact 40" precinct sweeper from the Johnston Compact range of self propelled suction sweepers. Photograph courtesy of Johnston Engineering Ltd.

SPECIFICATION

Construction:

Brass stampings

Max. working pressure:

280 bar

Working temperature:

-30°C to +90°C

Thread:

G¹/₄ and G³/₈

Filtration media:

Microglass III; see Table A

10µ, 25µ, 40µ, 80µ and 125µ (nominal) stainless steel

Seals:

Nitrile/Nitrile composite

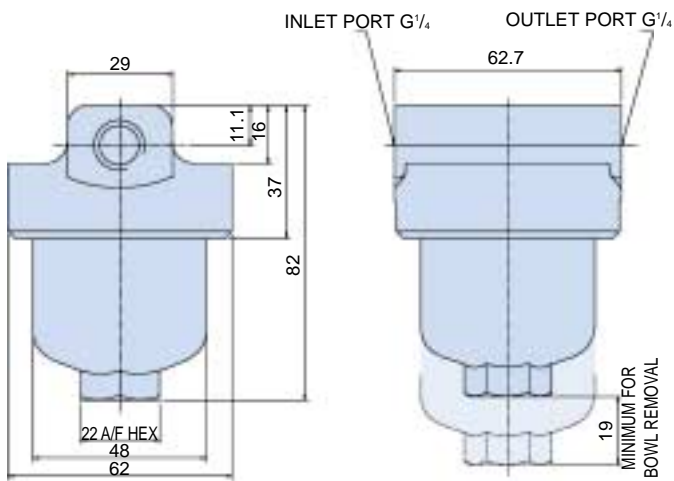
Weight:

Length 1: 0.88 Kg

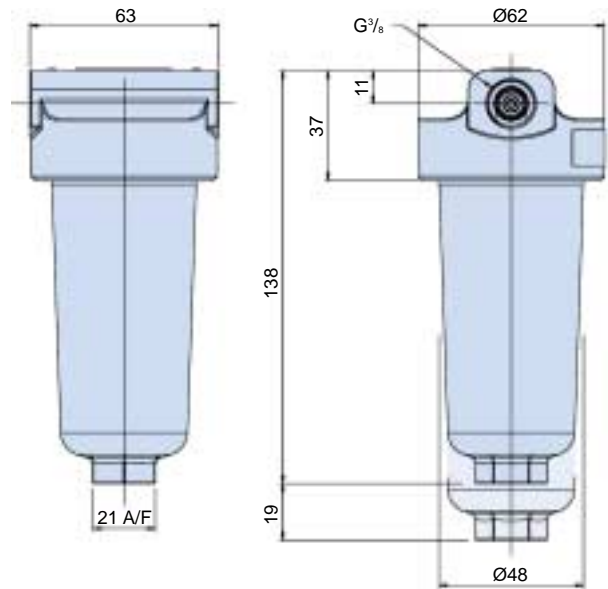
Length 2: 1.2 Kg

INSTALLATION DETAILS (FOR NEW HEAD DETAILS CONSULT PARKER FILTRATION)

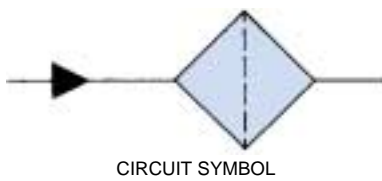
Length 1



Length 2



Note: For Length 1 and Length 2 filter housing and element media pressure drop against flow curves consult Parker Filtration.



Mini Pressure Filters

HPA Series

PREFERRED PRODUCTS TABLE

Length 1 G¹/₄ Port No by-pass

Part Number	Description		Supersedes	Replacement Element
HPA.1219.100	2μ Absolute pressure filter	Consult Parker Filtration for flow specifications	–	HPR.1219
HPA.1319.100	3μ Absolute pressure filter		–	HPR.1319
HPA.1419.100	5μ Absolute pressure filter		–	HPR.1419
HPA.1519.100	10μ Absolute pressure filter		–	HPR.1519
HPA.1619.100	25μ Absolute pressure filter		HP.1229.10	HPR.1619
HPA.1719.100	40μ Absolute pressure filter		HP.1229.25	HPR.1719
HPA.1819.100	80μ Absolute pressure filter		HP.1229.40	HPR.1819
HPA.1919.100	125μ Nominal pressure filter		HP.1229.125	HPR.1919

Note: Length 1, 10 bar by-pass version available – contact Parker Filtration.

Length 2 G³/₈ Port, 5 bar by-pass

Part Number	Description		Replacement Element
HPA.2225.100	2μ Absolute pressure filter	Consult Parker Filtration for flow specifications	HPR.1229
HPA.2325.100	3μ Absolute pressure filter		HPR.1329
HPA.2425.100	5μ Absolute pressure filter		HPR.1429
HPA.2525.100	10μ Absolute pressure filter		HPR.1529
HPA.2625.100	25μ Absolute pressure filter		HPR.1629
HPA.2725.100	40μ Absolute pressure filter		HPR.1729
HPA.2825.100	80μ Absolute pressure filter		HPR.1829
HPA.2925.100	125μ Absolute pressure filter		HPR.1929

Table A

Degree of Filtration						
Average filtration Beta Ratio (ISO 16889)						ASSEMBLY NUMBER
2	10	75	100	200	1000	
–	–	–	–	–	4.5	HPA.1219.100
–	–	3.0	–	–	–	HPA.1319.100
–	–	4.5	5.0	6.0	7.0	HPA.1419.100
–	6.0	8.5	8.0	10.0	12.0	HPA.1519.100
–	–	–	–	–	–	HPA.1619.100
–	–	40.0	–	–	–	HPA.1719.100
–	–	80.0	–	–	–	HPA.1819.100
–	–	125.0	–	–	–	HPA.1919.100